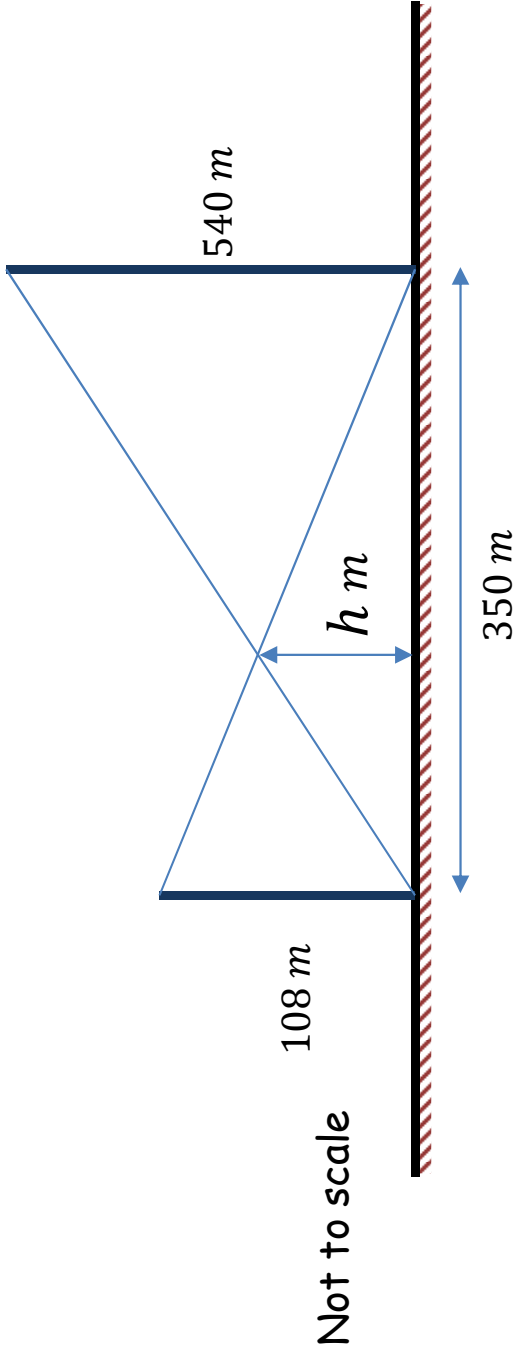


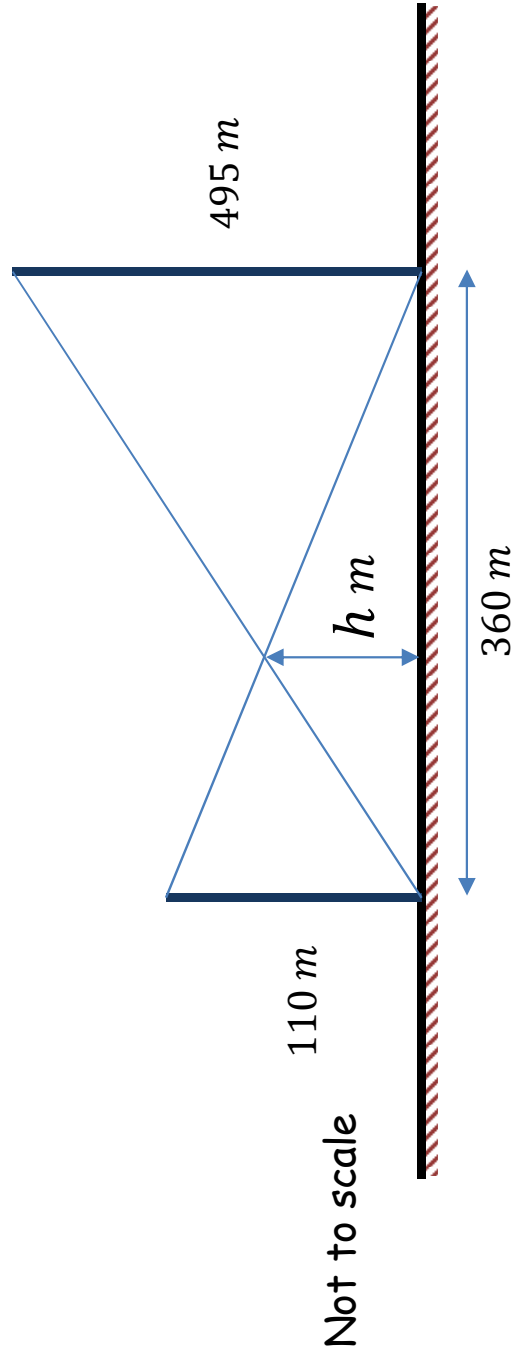
Strange Guys



Two tall vertical masts on horizontal, level ground have guy ropes tightly tethered to the other's base. They cross at a point between them. How high above the ground do they cross?

SIC_35

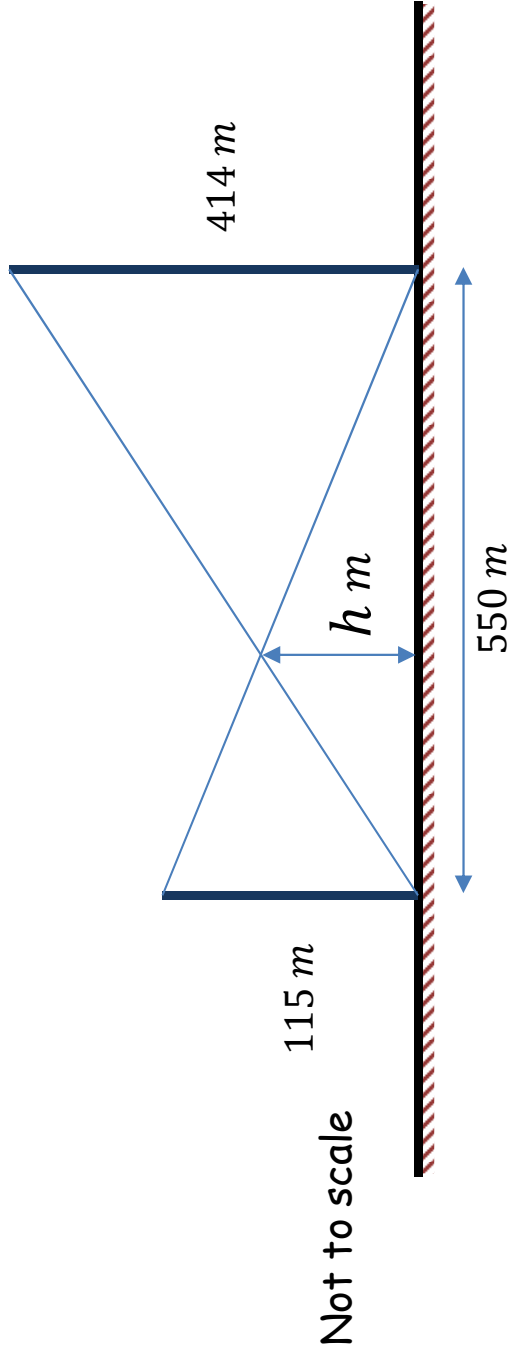
Strange Guys



Two tall vertical masts on horizontal, level ground have guy ropes tightly tethered to the other's base. They cross at a point between them. How high above the ground do they cross?

SIC_35

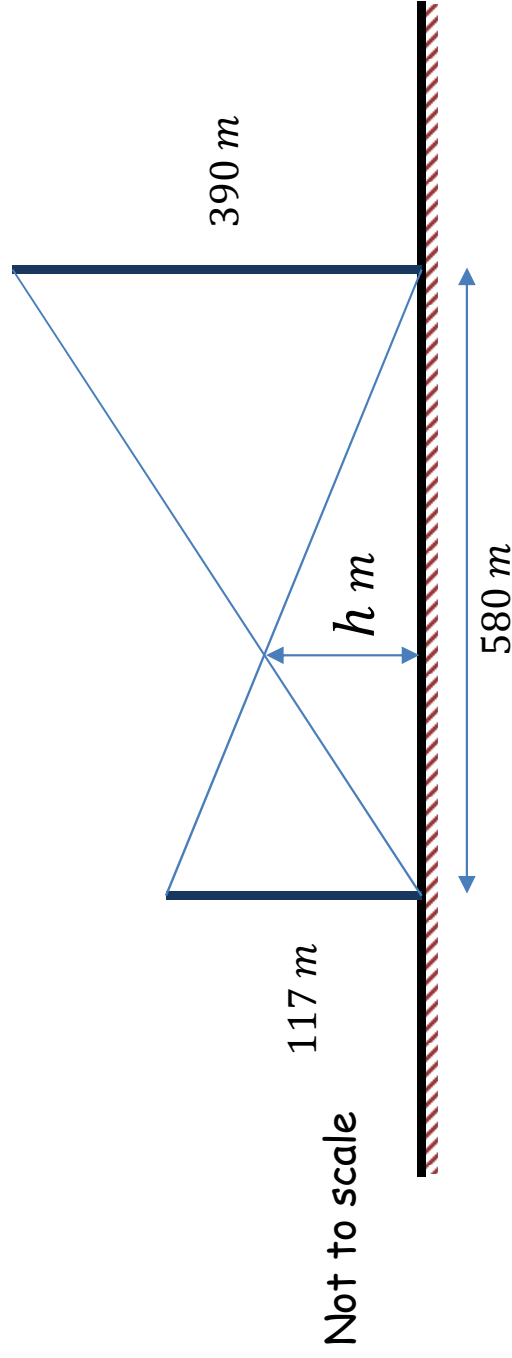
Strange Guys



Two tall vertical masts on horizontal, level ground have guy ropes tightly tethered to the other's base. They cross at a point between them. How high above the ground do they cross?

SIC_35

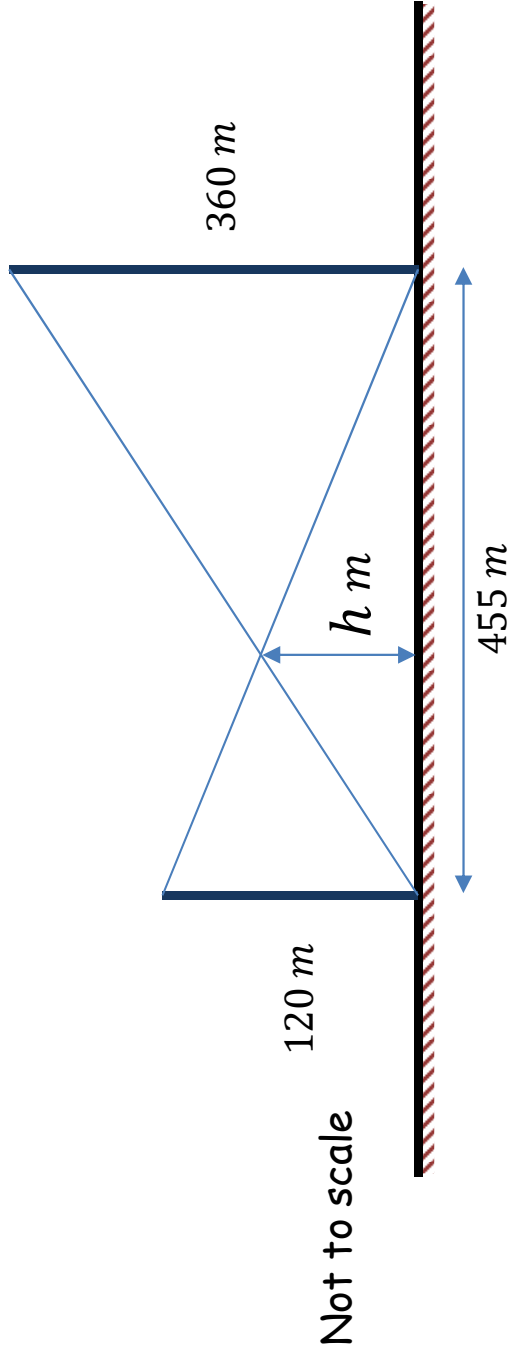
Strange Guys



Two tall vertical masts on horizontal, level ground have guy ropes tightly tethered to the other's base. They cross at a point between them. How high above the ground do they cross?

SIC_35

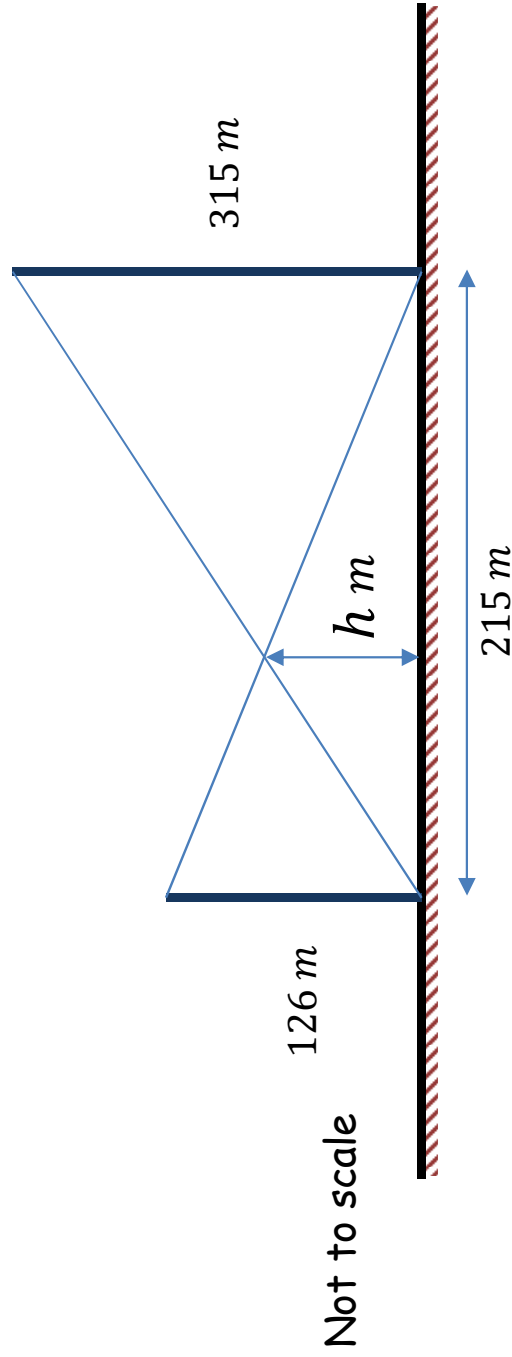
Strange Guys



Two tall vertical masts on horizontal, level ground have guy ropes tightly tethered to the other's base. They cross at a point between them. How high above the ground do they cross?

SIC_35

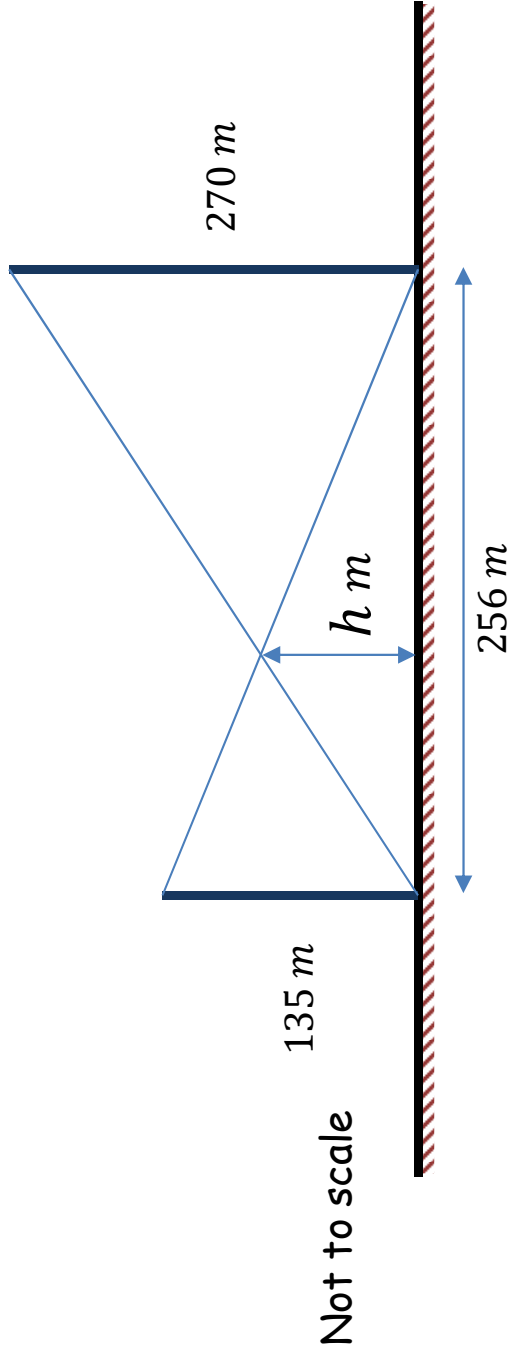
Strange Guys



Two tall vertical masts on horizontal, level ground have guy ropes tightly tethered to the other's base. They cross at a point between them. How high above the ground do they cross?

SIC_35

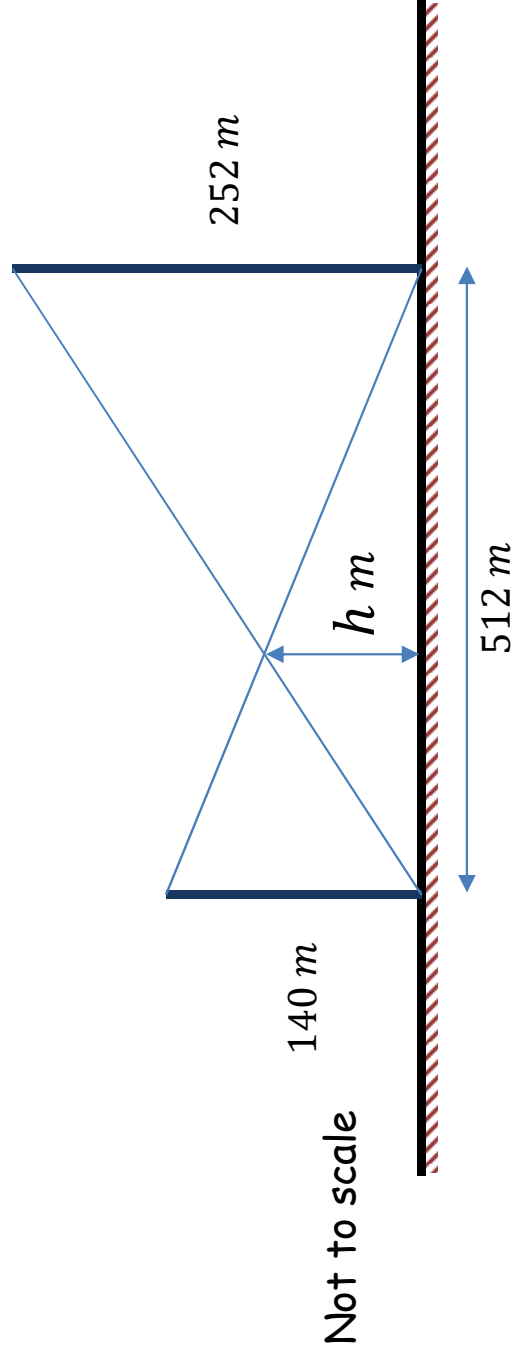
Strange Guys



Two tall vertical masts on horizontal, level ground have guy ropes tightly tethered to the other's base. They cross at a point between them. How high above the ground do they cross?

SIC_35

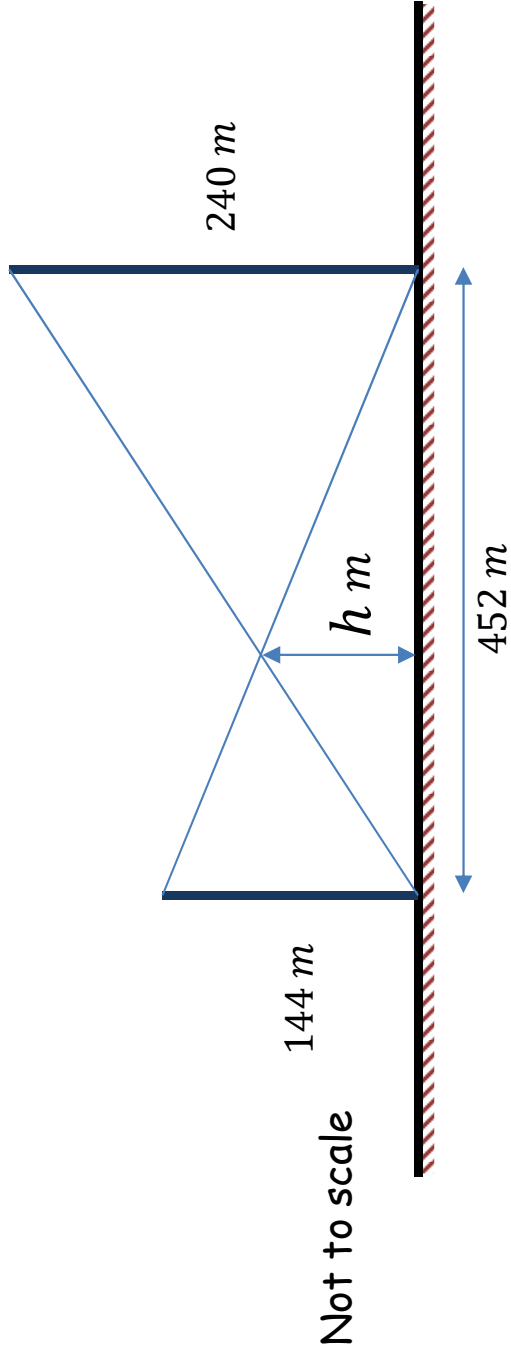
Strange Guys



Two tall vertical masts on horizontal, level ground have guy ropes tightly tethered to the other's base. They cross at a point between them. How high above the ground do they cross?

SIC_35

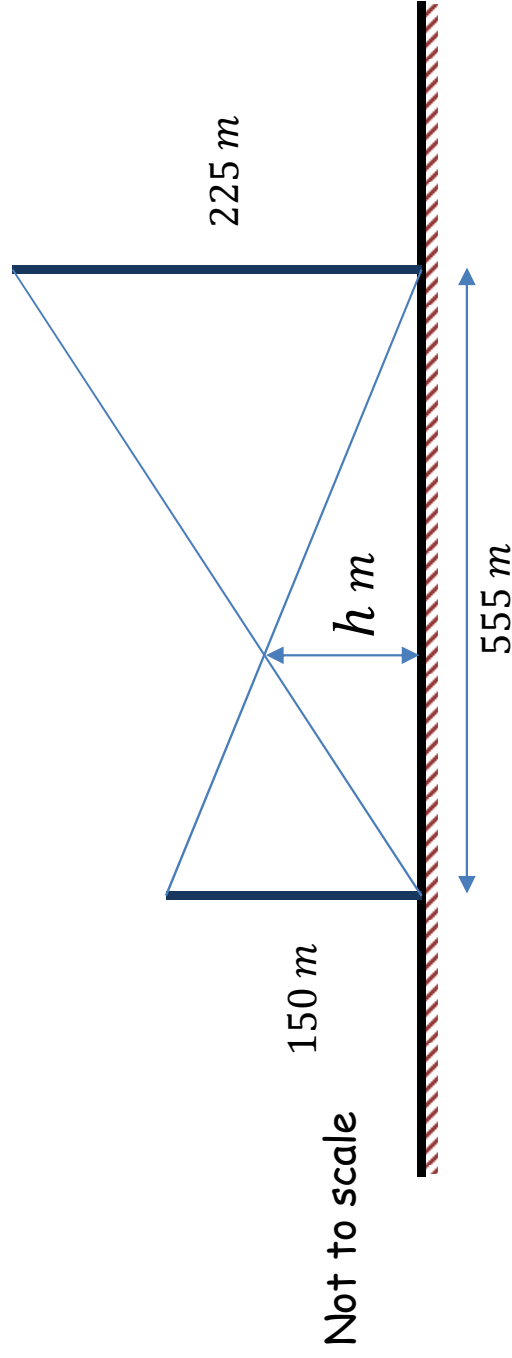
Strange Guys



Two tall vertical masts on horizontal, level ground have guy ropes tightly tethered to the other's base. They cross at a point between them. How high above the ground do they cross?

SIC_35

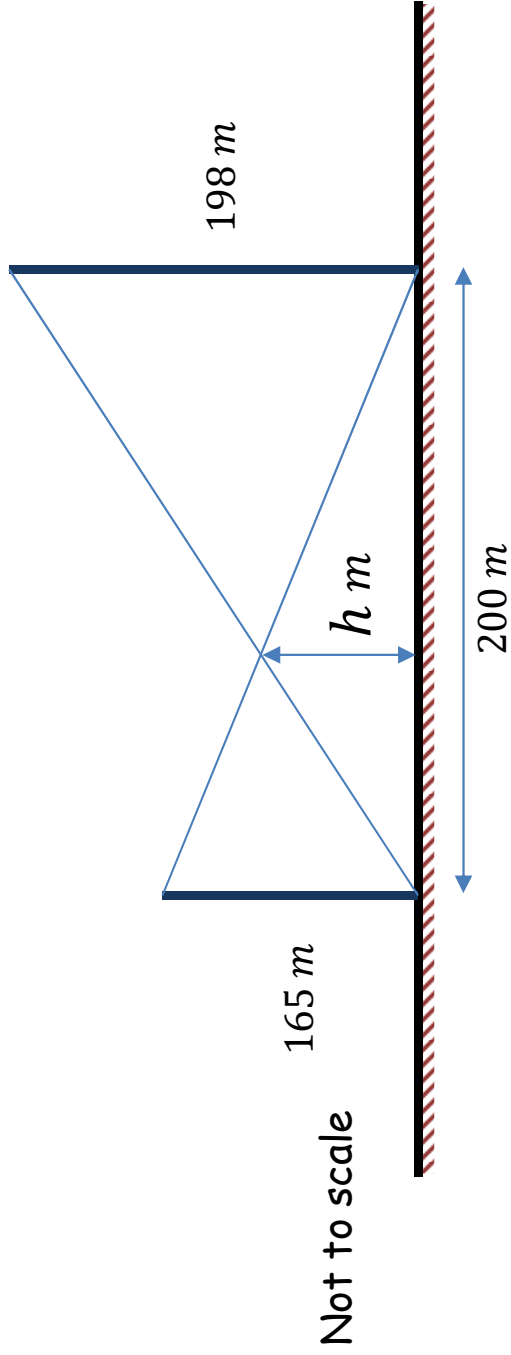
Strange Guys



Two tall vertical masts on horizontal, level ground have guy ropes tightly tethered to the other's base. They cross at a point between them. How high above the ground do they cross?

SIC_35

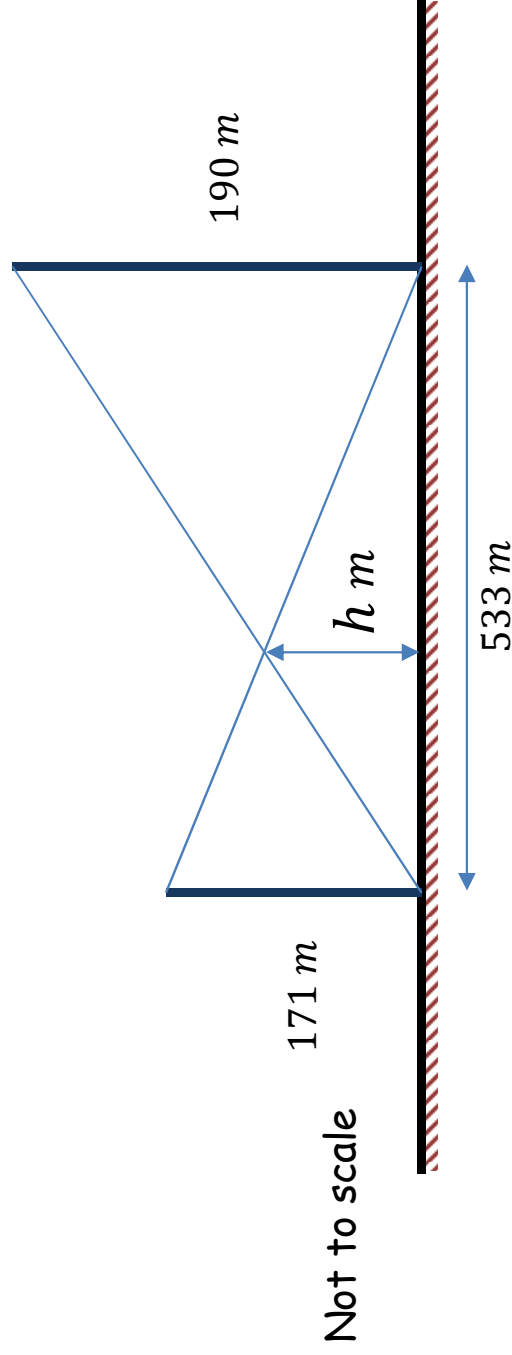
Strange Guys



Two tall vertical masts on horizontal, level ground have guy ropes tightly tethered to the other's base. They cross at a point between them. How high above the ground do they cross?

SIC_35

Strange Guys



Two tall vertical masts on horizontal, level ground have guy ropes tightly tethered to the other's base. They cross at a point between them. How high above the ground do they cross?

SIC_35