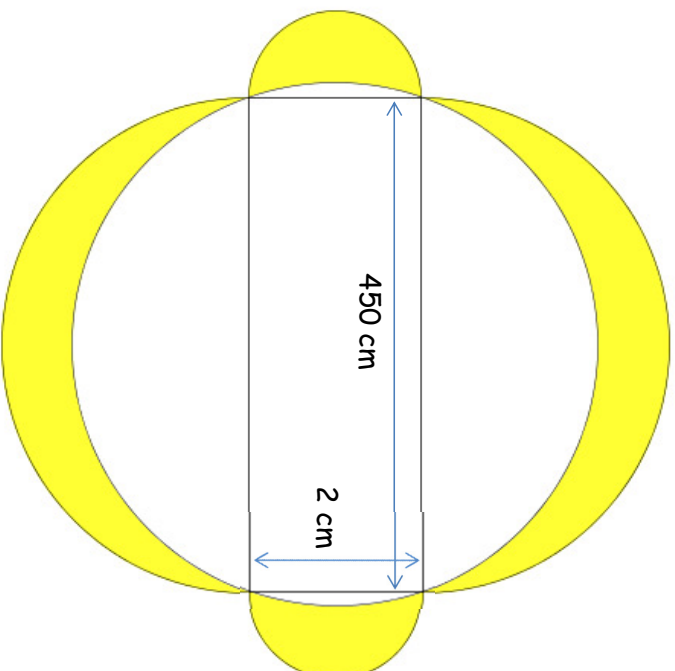


Four Crescents

The diagram shows a circle, four semi-circular arcs and a rectangle (with dimensions given).



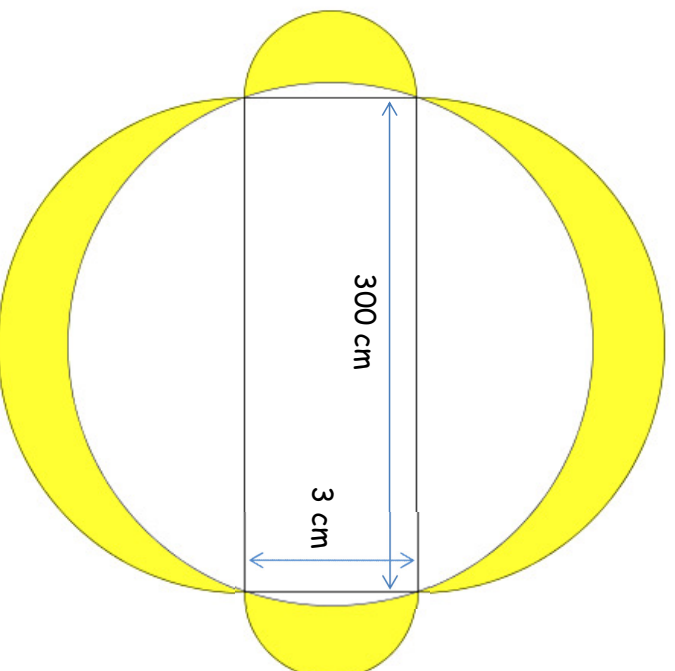
NOT to scale

What is the total area of the four shaded crescents?

slc_8

Four Crescents

The diagram shows a circle, four semi-circular arcs and a rectangle (with dimensions given).



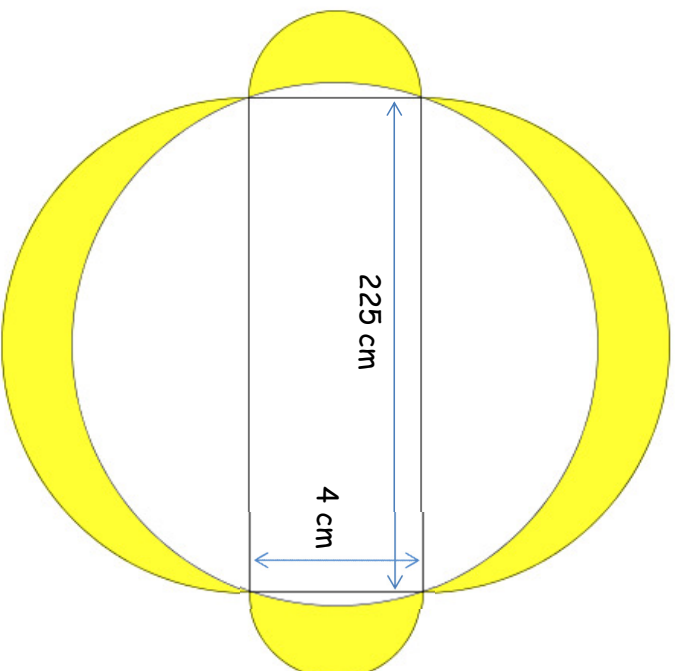
NOT to scale

What is the total area of the four shaded crescents?

slc_8

Four Crescents

The diagram shows a circle, four semi-circular arcs and a rectangle (with dimensions given).



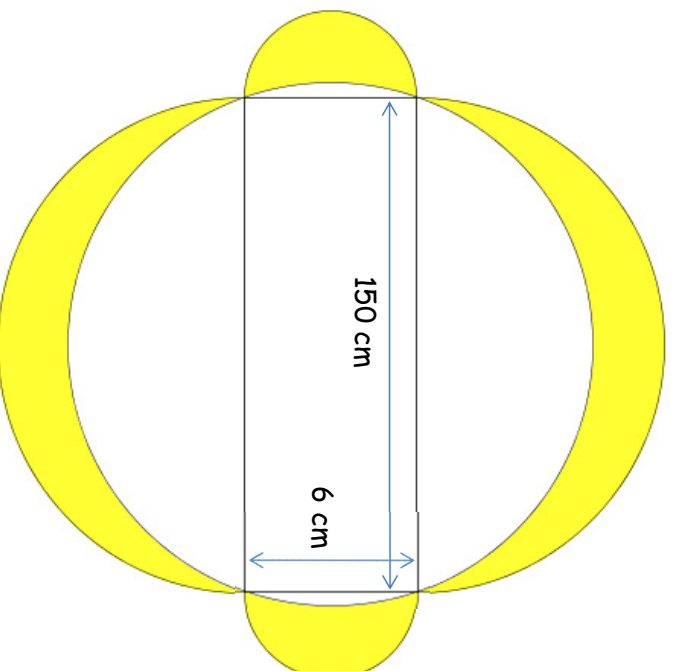
NOT to scale

What is the total area of the four shaded crescents?

SIC_8

Four Crescents

The diagram shows a circle, four semi-circular arcs and a rectangle (with dimensions given).



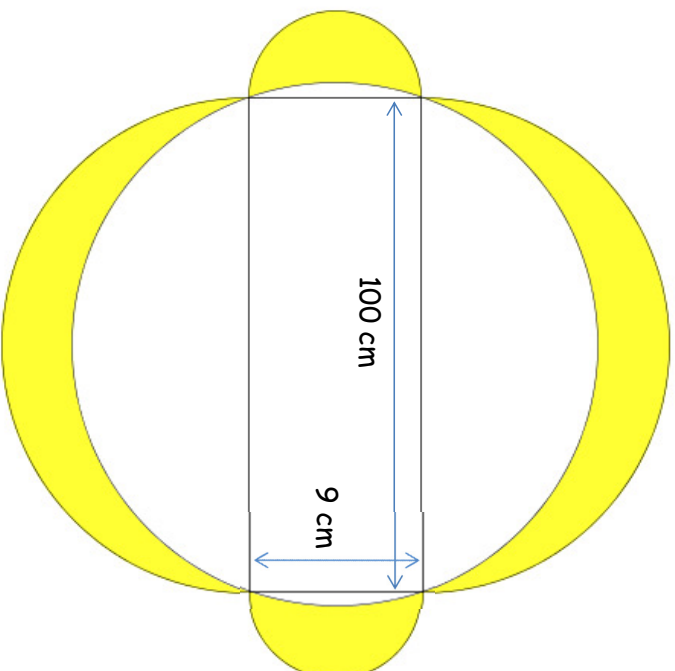
NOT to scale

What is the total area of the four shaded crescents?

SIC_8

Four Crescents

The diagram shows a circle, four semi-circular arcs and a rectangle (with dimensions given).

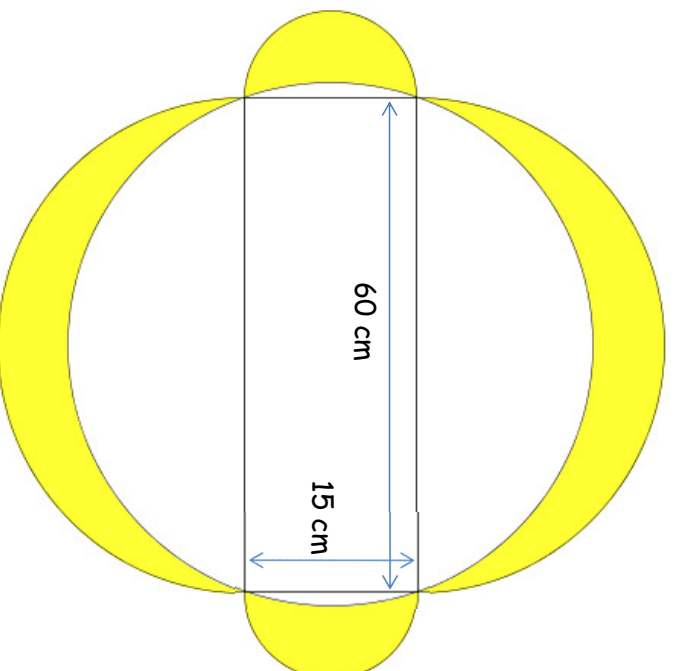


What is the total area of the four shaded crescents?

slc_8

Four Crescents

The diagram shows a circle, four semi-circular arcs and a rectangle (with dimensions given).

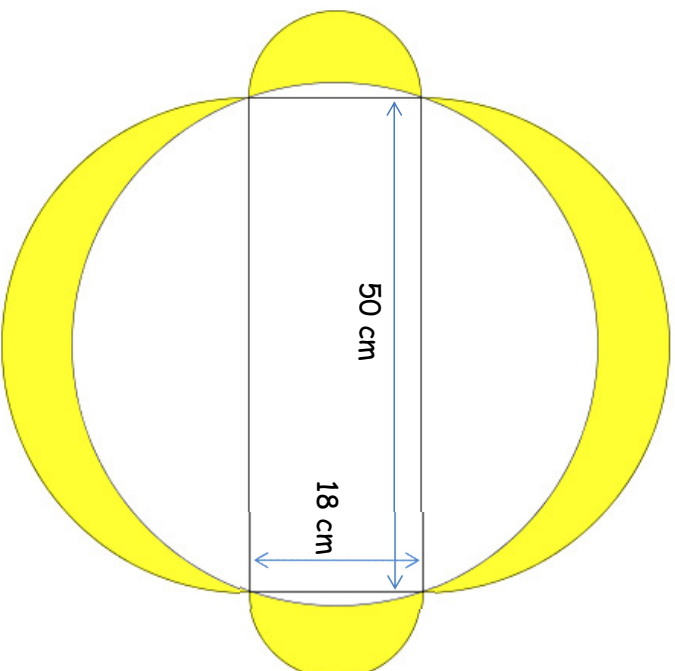


What is the total area of the four shaded crescents?

slc_8

Four Crescents

The diagram shows a circle, four semi-circular arcs and a rectangle (with dimensions given).



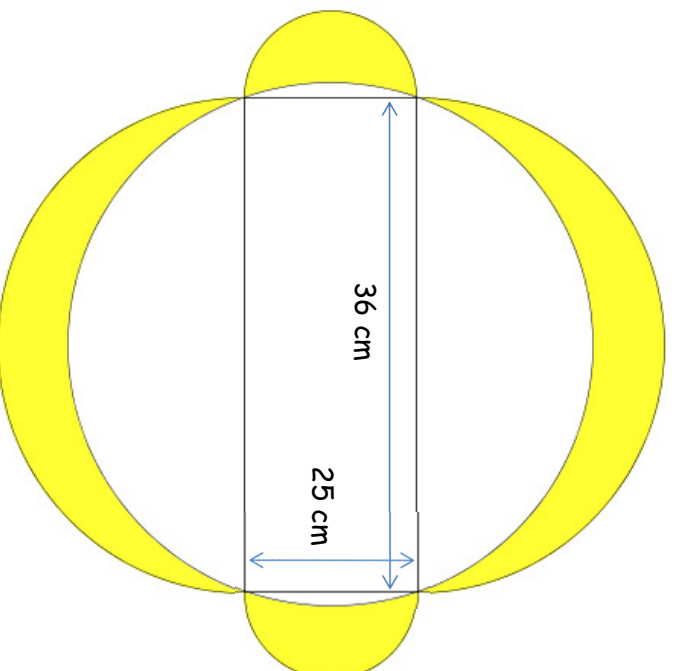
NOT to scale

What is the total area of the four shaded crescents?

S1C_8

Four Crescents

The diagram shows a circle, four semi-circular arcs and a rectangle (with dimensions given).



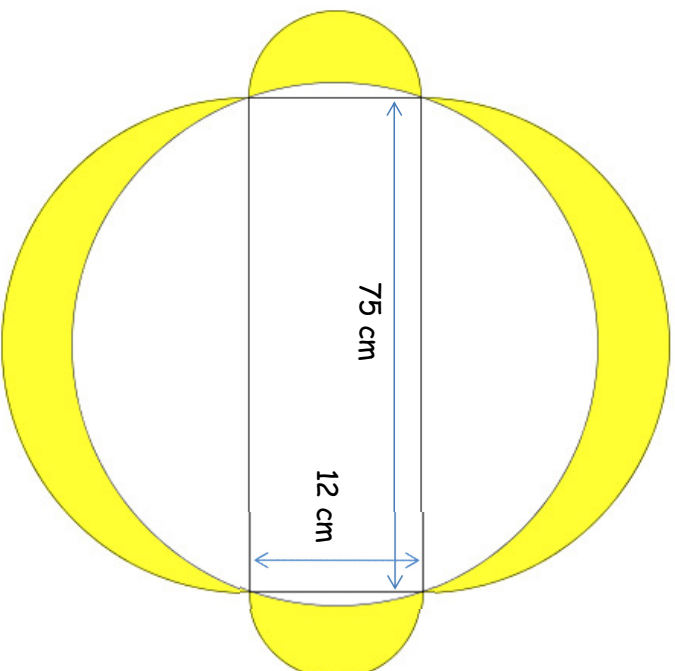
NOT to scale

What is the total area of the four shaded crescents?

S1C_8

Four Crescents

The diagram shows a circle, four semi-circular arcs and a rectangle (with dimensions given).



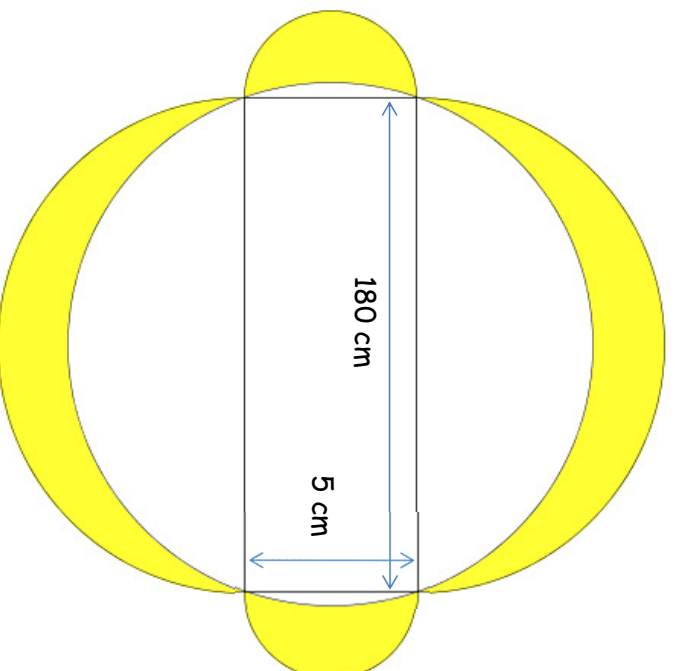
NOT to scale

What is the total area of the four shaded crescents?

slc_8

Four Crescents

The diagram shows a circle, four semi-circular arcs and a rectangle (with dimensions given).



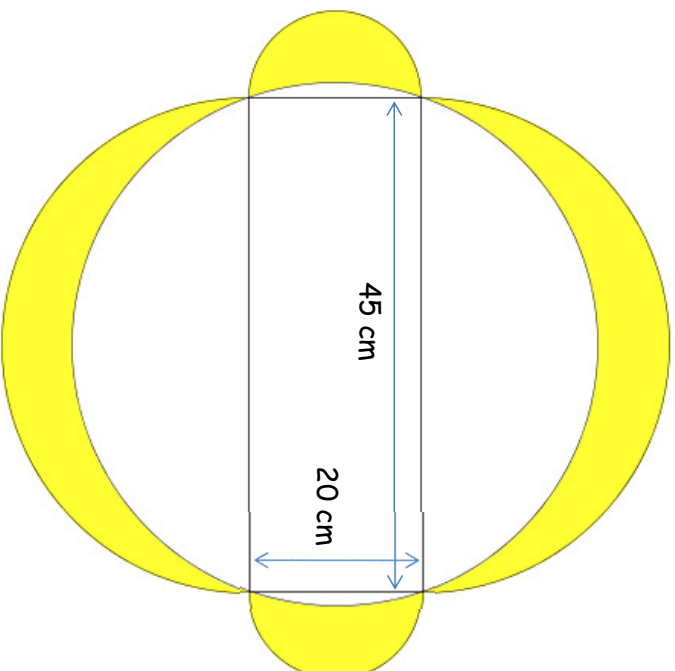
NOT to scale

What is the total area of the four shaded crescents?

slc_8

Four Crescents

The diagram shows a circle, four semi-circular arcs and a rectangle (with dimensions given).



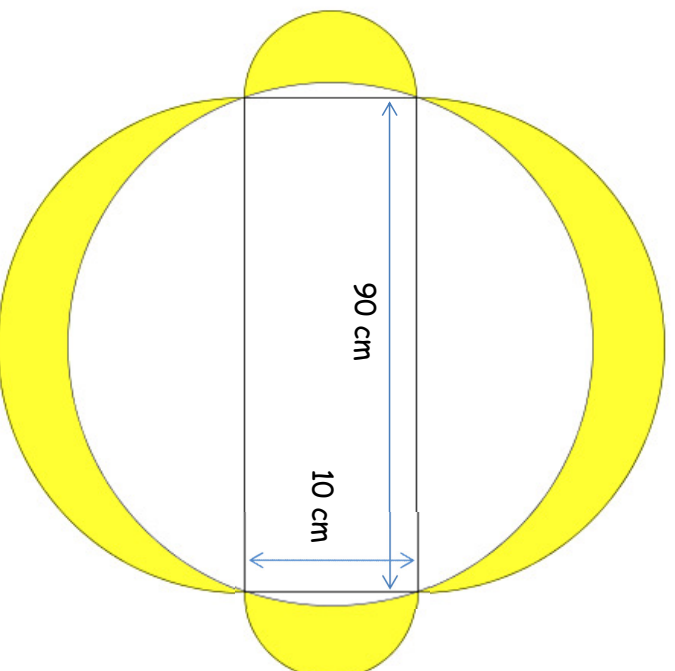
NOT to scale

What is the total area of the four shaded crescents?

SIC_8

Four Crescents

The diagram shows a circle, four semi-circular arcs and a rectangle (with dimensions given).



NOT to scale

What is the total area of the four shaded crescents?

SIC_8