

Centre No.						Paper Reference					Surname	Initial(s)		
Candidate No.						1	3	8	0	/	3	H	Signature	

Paper Reference(s)

1380/3H

Edexcel GCSE

Mathematics (Linear) – 1380

Paper 3 (Non-Calculator)

Number

Past Paper Questions

Arranged by Topic

Examiner's use only

--	--	--

Team Leader's use only

--	--	--



Materials required for examination

Ruler graduated in centimetres and millimetres, protractor, compasses, pen, HB pencil, eraser.
Tracing paper may be used.

Items included with question papers

Nil

Instructions to Candidates

In the boxes above, write your centre number, candidate number, your surname, initials and signature. Check that you have the correct question paper.

Answer ALL the questions. Write your answers in the spaces provided in this question paper.

You must NOT write on the formulae page.

Anything you write on the formulae page will gain NO credit.

If you need more space to complete your answer to any question, use additional answer sheets.

Information for Candidates

The marks for individual questions and the parts of questions are shown in round brackets: e.g. (2).

There are 26 questions in this question paper. The total mark for this paper is 100.

There are 24 pages in this question paper. Any blank pages are indicated.

Calculators must not be used.

Advice to Candidates

Show all stages in any calculations.

Work steadily through the paper. Do not spend too long on one question.

If you cannot answer a question, leave it and attempt the next one.

Return at the end to those you have left out.

Lots more free papers at:

<http://bland.in>

Compiled by Peter Bland



Turn over

edexcel
advancing learning, changing lives

Answer ALL TWENTY questions.

Write your answers in the spaces provided.

You must write down all stages in your working.

You must NOT use a calculator.

1. Using the information that

$$74 \times 234 = 17316$$

write down the value of

(a) 740×234

.....
(1)

(b) 74×2.34

.....
(1)

(Total 2 marks)

Q1

2. Work out an estimate for the value of

$$\frac{31 \times 4.92}{0.21}$$

.....
(Total 3 marks)

Q2



3. (a) Work out $\frac{3}{8} + \frac{1}{4}$

Give your answer in its simplest form.

.....
(2)

(b) Work out $\frac{2}{3} \times \frac{4}{5}$

.....
(2)

(c) Work out 423×12

You **must** show **all** your working.

.....
(3)

(Total 7 marks)

Q3



4. Simon wants to find out how much people spend using their mobile phone.

He uses this question on a questionnaire.

How much do you spend using your mobile phone?		
<input type="checkbox"/>	<input type="checkbox"/>	<input type="checkbox"/>
£1–£5	£5–£10	£10–£15

(a) Write down **two** things that are wrong with this question.

1

.....

2

.....

(2)

(b) Design a better question for his questionnaire to find out how much people spend using their mobile phone.

You should include some response boxes.

(2)

Q4

(Total 4 marks)



5. (a) A solid cube has sides of length 5 cm.

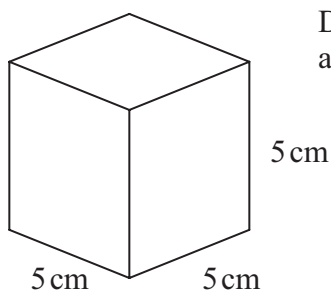


Diagram **NOT** accurately drawn

Work out the total surface area of the cube.
State the units of your answer.

.....
(4)

The volume of the cube is 125 cm^3 .

(b) Change 125 cm^3 into mm^3 .

..... mm^3
(2)

The weight of the cube is 87 grams, correct to the nearest gram.

(c) (i) What is the minimum the weight could be?

..... grams

(ii) What is the maximum the weight could be?

..... grams
(2)




(Total 8 marks)

Q5



Leave
blank

6. A tin of cat food costs 40p.
A shop has a special offer on the cat food.

Special offer		
Pay for 2 tins and get 1 tin free		
		

Julie wants 12 tins of cat food.

- (a) Work out how much she pays.

£
(3)

The normal price of a cat basket is £20
In a sale, the price of the cat basket is reduced by 15%.

- (b) Work out the sale price of the cat basket.

£
(3)

(Total 6 marks)

Q6



N 3 2 0 8 1 R A 0 4 2 4

7. Work out $\frac{2}{5} + \frac{1}{7}$

Leave blank

.....
Q7

(Total 2 marks)

8.

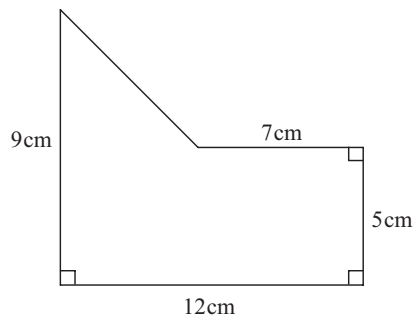


Diagram **NOT** accurately drawn

Work out the area of the shape.

..... cm² **Q8**

(Total 4 marks)



Turn over

Leave
blank

9. Use the information that

$$322 \times 48 = 15456$$

to find the value of

(a) 3.22×4.8

.....
(1)

(b) 0.322×0.48

.....
(1)

(c) $15456 \div 4.8$

.....
(1)

(Total 3 marks)

Q9

10. $2x^2 = 72$

(a) Find a value of x .

.....
(2)

(b) Express 72 as a product of its prime factors.

.....
(2)

(Total 4 marks)

Q10



Leave
blank

11. Here are the ingredients needed to make 8 pancakes.

Pancakes
Ingredients to make 8 pancakes

300 m/ milk
1 egg
120 g flour
5 g butter

Jacob makes 24 pancakes.

(a) Work out how much milk he needs.

..... m/
(2)

Cathie makes 12 pancakes.

(b) Work out how much flour she needs.

..... g
(2)

(Total 4 marks)

Q11



Leave
blank

12. Kaysha has a part-time job.
She is paid £5.40 for each hour she works.
Last week Kaysha worked for 24 hours.

Work out Kaysha's total pay for last week.

£

Q2

(Total 3 marks)

13. Here are the ages, in years, of 15 teachers.

35 52 42 27 36

23 31 41 50 34

44 28 45 45 53

Draw an ordered stem and leaf diagram to show this information.
You must include a key.



Key:

Q3

(Total 3 marks)



Leave blank

14. Using the information that

$$4.8 \times 34 = 163.2$$

write down the value of

(a) 48×34

.....
(1)

(b) 4.8×3.4

.....
(1)

(c) $163.2 \div 48$

.....
(1)

(Total 3 marks)

Q14

15.

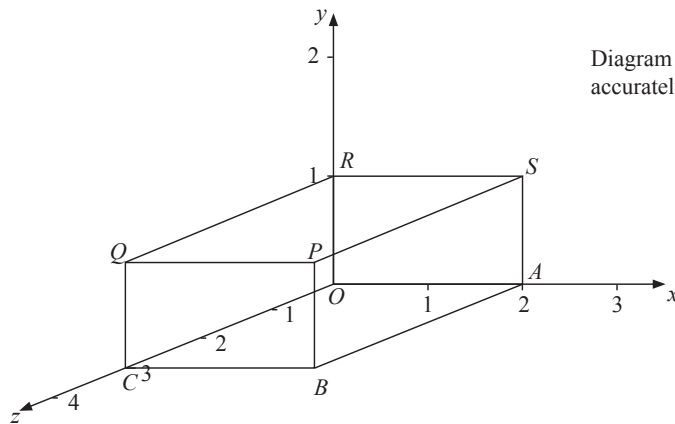


Diagram NOT accurately drawn

A cuboid is shown on a 3-dimensional grid.

(a) Write down the letter of the point with coordinates (2, 1, 0).

.....
(1)

(b) Write down the coordinates of the point P.

(.....,,)
(1)

(Total 2 marks)

Q15



Leave
blank

16. This rule is used to work out the total cost, in pounds, of hiring a carpet cleaner.

Multiply the number of days' hire by 4

Add 6 to your answer

Peter hires a carpet cleaner.
The total cost is £18

(a) Work out for how many days he hires the carpet cleaner.

..... days
(2)

(b) Write down an expression, in terms of n , for the total cost, in pounds, of hiring a carpet cleaner for n days.

.....
(2)

(Total 4 marks)

Q16



17.

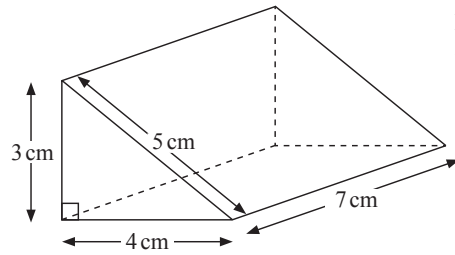


Diagram **NOT** accurately drawn

Work out the total surface area of the triangular prism.
Give the units with your answer.

Leave blank

.....
Q7

(Total 4 marks)

7

Turn over



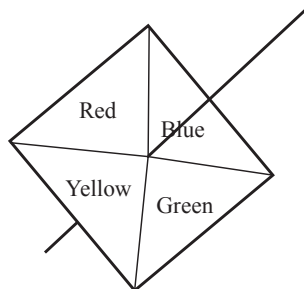
18. Work out an estimate for $\frac{302 \times 9.96}{0.51}$

Leave blank

Q18

(Total 3 marks)

19. Here is a 4-sided spinner.



The sides of the spinner are labelled Red, Blue, Green and Yellow.
 The spinner is biased.
 The table shows the probability that the spinner will land on each of the colours Red, Yellow and Green.

Colour	Red	Blue	Green	Yellow
Probability	0.2		0.3	0.1

Work out the probability the spinner will land on Blue.

Q9

(Total 2 marks)





<p>20. (a) Write down the reciprocal of 4</p> <p>.....</p> <p style="text-align: right;">(1)</p> <p>(b) Work out the value of $2\frac{4}{5} - 1\frac{3}{4}$</p> <p>Give your answer as a fraction in its simplest form.</p> <p>.....</p> <p style="text-align: right;">(3)</p> <p>(c) Sundas says that $4\frac{1}{3}$ is equal to 4.3</p> <p>Sundas is wrong.</p> <p>Explain why.</p> <p>.....</p> <p>.....</p> <p style="text-align: right;">(1)</p> <p style="text-align: right;">(Total 5 marks)</p>	<p>Leave blank</p> <p>Q20</p> <div style="border: 1px solid black; width: 20px; height: 20px; margin: 0 auto;"></div>



N 3 0 9 9 2 A 0 1 1 2 4



BLANK PAGE